

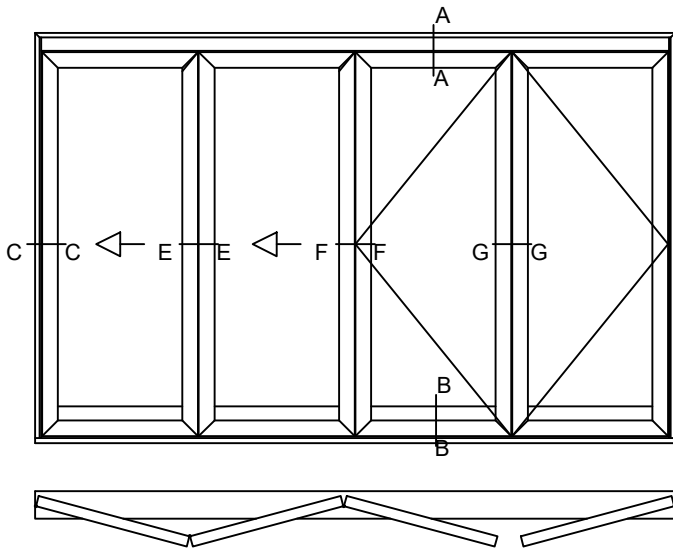
Folding Walls

Aluminum Clad, Glazed

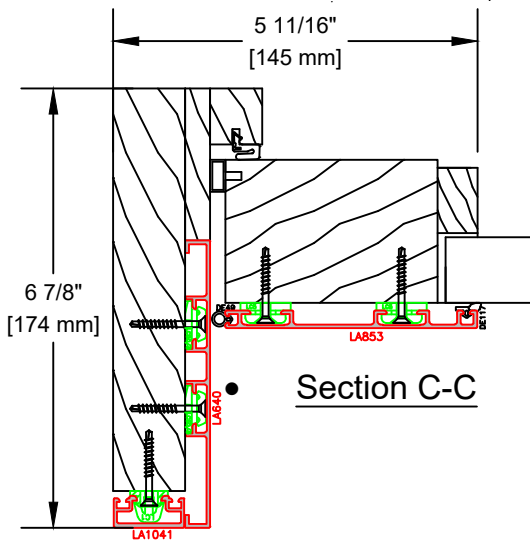
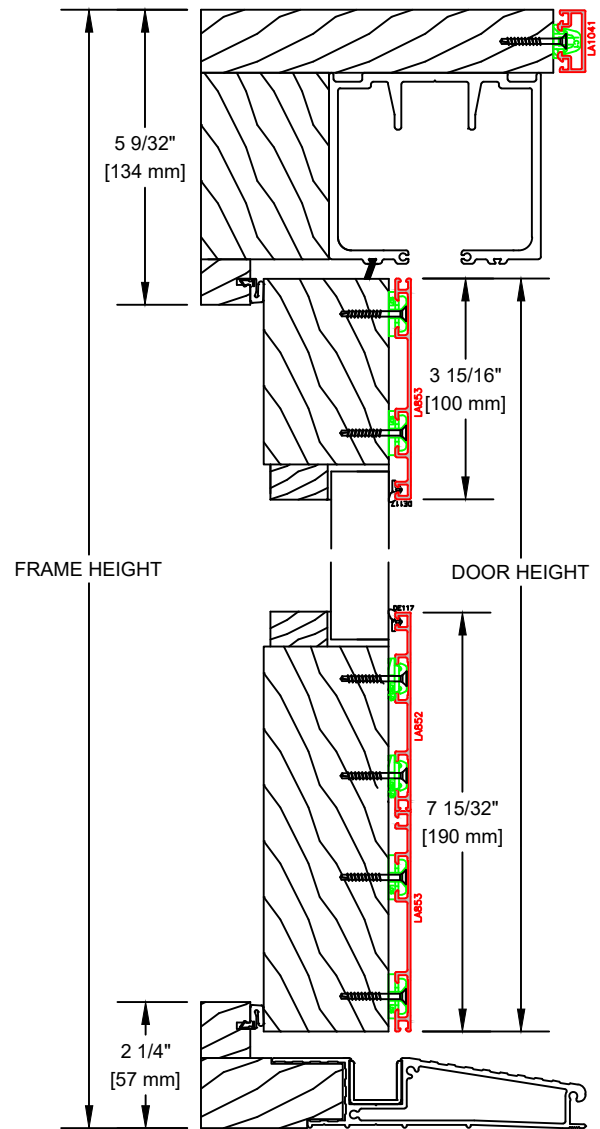


**EXCLUSIVE
WOOD DOORS**
Solid Integrity in Every Opening

• ELEVATION: 3+1 CONFIGURATION

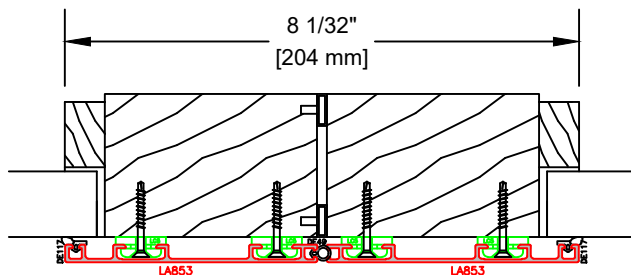
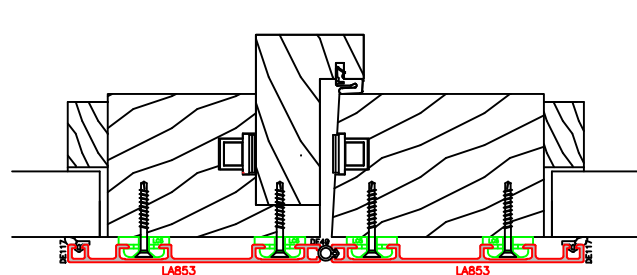


• Section A-A



• Section C-C

• Section B-B



• Section F-F

• Section G-G

Exclusive Wood Doors, Inc. does not accept responsibility for misprints and subsequent changes although every effort has been made to avoid any errors during preparation of this document.