

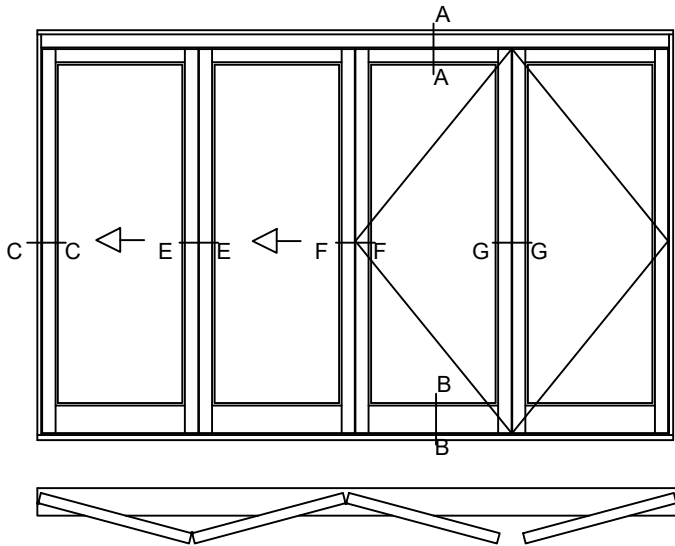
Folding Walls

Wood, Glazed

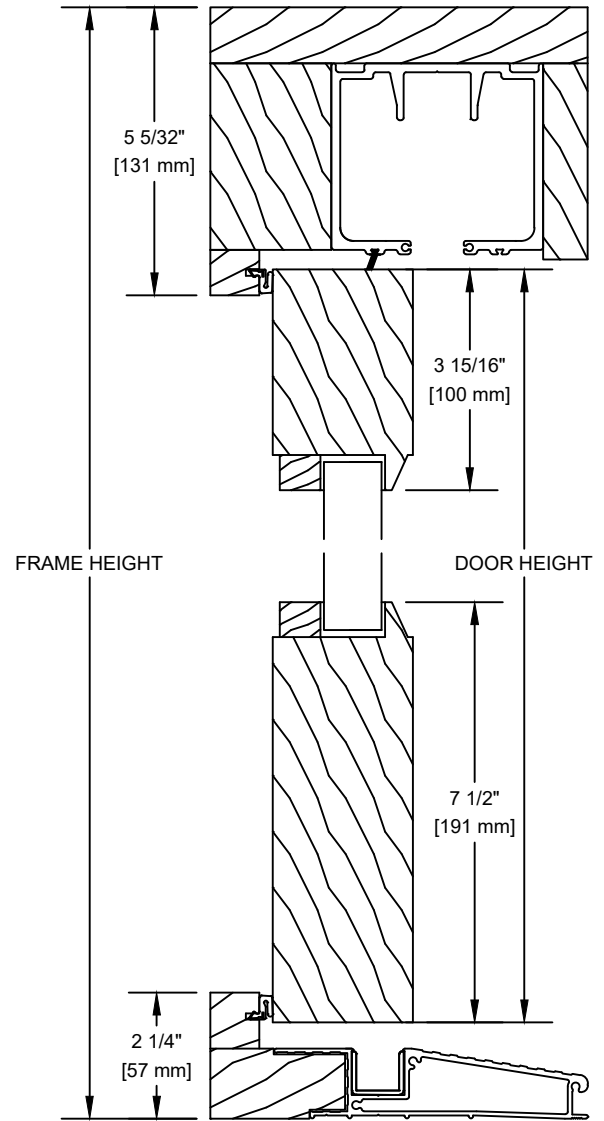


**EXCLUSIVE
WOOD DOORS**
Solid Integrity in Every Opening

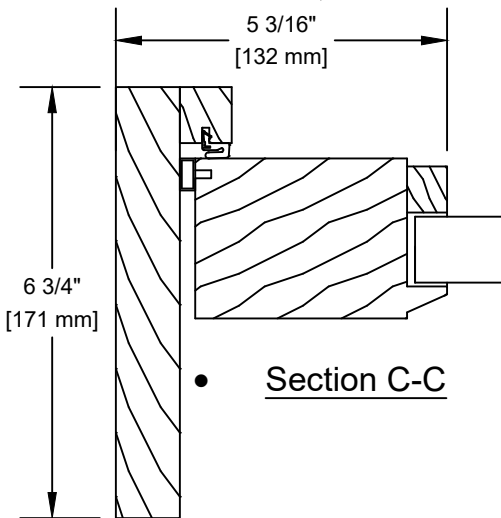
- ELEVATION: 3+1 CONFIGURATION



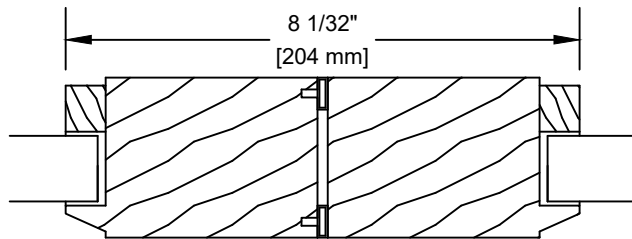
- Section A-A



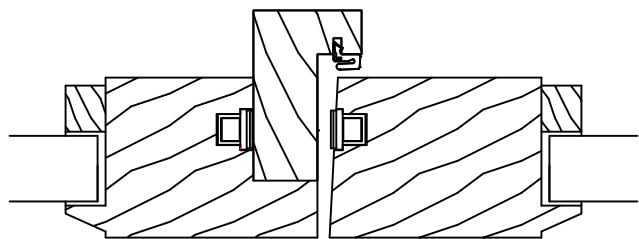
- Section B-B



- Section C-C



- Section F-F



- Section G-G